

# Precision Test Adapters

## SMA(M) to SMA(F) : Quick Mating type



**Microwave Farm's Precision Test Adapters** are designed based on precision microwave interconnection technologies. **This Quick Mating type SMA(M) to SMA(F)** adapter is manufactured to precise microwave specifications and constructed with male gender on side 1 and female gender side 2.

The precision microwave connector interfaces ensure an excellent microwave performance up to 18 GHz.



### ■ Features

- Frequency range : DC to 18 GHz
- VSWR : 1.3 : 1(Max) @ 18 GHz
- Quick mating type

### ■ Specification

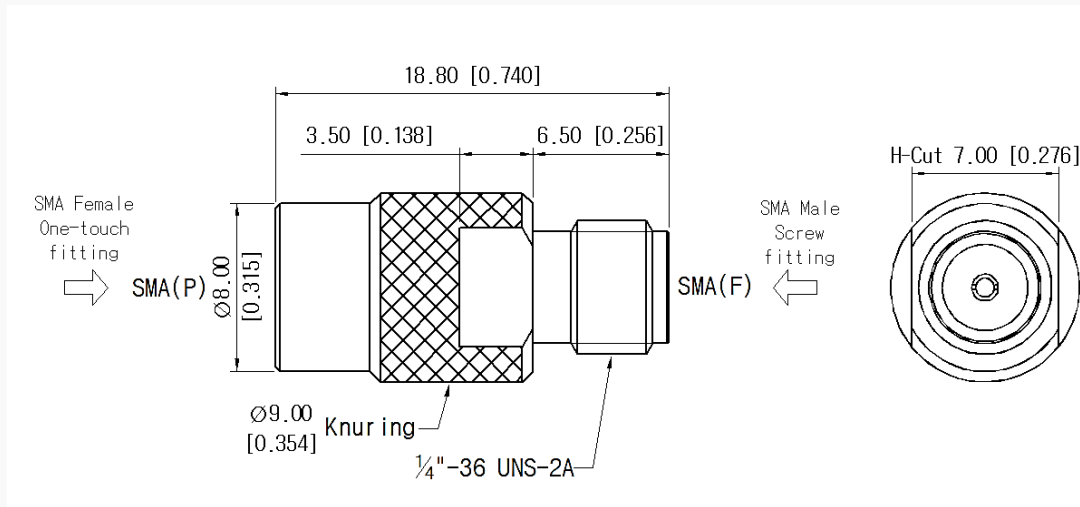
Scope	Specification	MFAD06P06FS1
Electrical	Impedance(Ohm)	50
	Operation Freq.(GHz)	DC to 18 GHz
	VSWR (Max)	1.3: 1 @ 18 GHz
Material	Dielectric	PTFE
	Center Contact	BeCu with gold plated
	Body	Brass with gold plated

\* RoHS Compliant

### ■ Drawing

Part No.: MFAD06P06FS1

Unit : mm[inch]



### ■ Test Result

